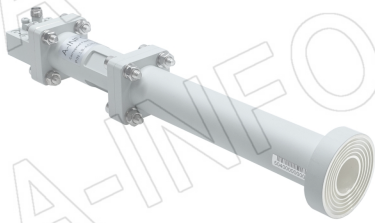


For reference only. See data sheet for the detailed specifications.

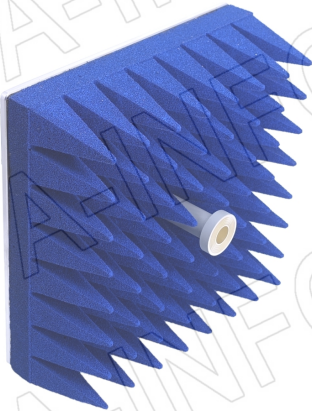
Technical Specification

LB-ACH-51-10-C-SF



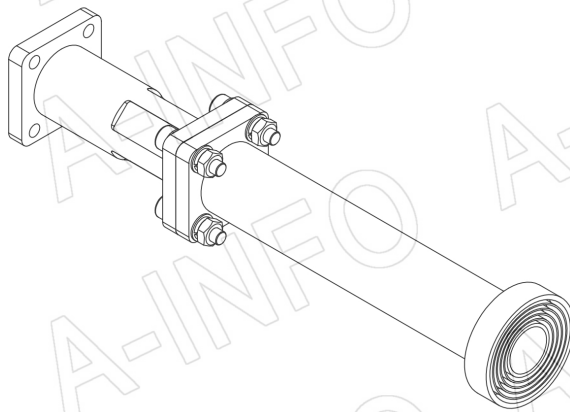
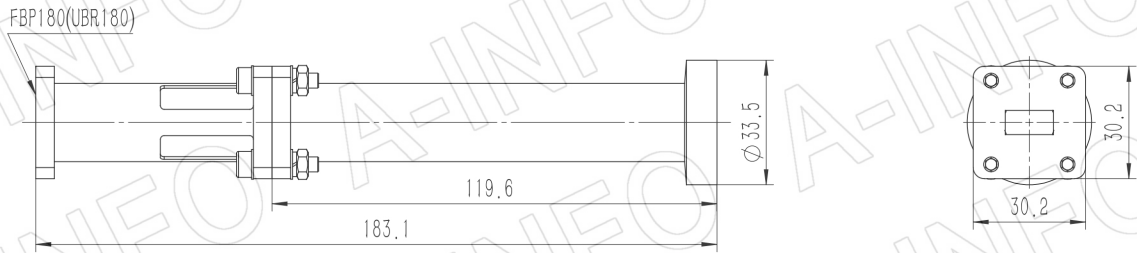
Frequency Range(GHz)	15.0 – 22.0	
Waveguide	WR51	
Gain(dBi)	10 Typ.	
Polarization	Linear	
3dB Beamwidth(deg)	E Plane:	60 Typ.
	H Plane:	60 Typ.
10dB Beamwidth(deg)	E Plane:	110 Typ.
	H Plane:	110 Typ.
Cross Pol. Isolation(dB)	40 Typ.	
VSWR	A Type:	1.20:1 Typ.
	C Type:	1.40:1 Typ.
Output	A Type:	FBP180(UBR180)
	C Type:	SMA-Female
Material	Al	
Finish	Silver Plated, Gray Paint	
Size(mm)	A Type:	33.5 x 33.5 x 183.1
	C Type:	33.5 x34.4 x 210.1
	A-A1:	266.4 x 266.4 x 184.9
	C-SF-A1:	266.4 x 266.4 x 211.9
Net Weight(Kg)	A Type:	0.15 Around
	C Type:	0.25 Around
	A-A1:	1.42 Around
	C-SF-A1:	1.46 Around

LB-ACH-51-10-C-SF-A1

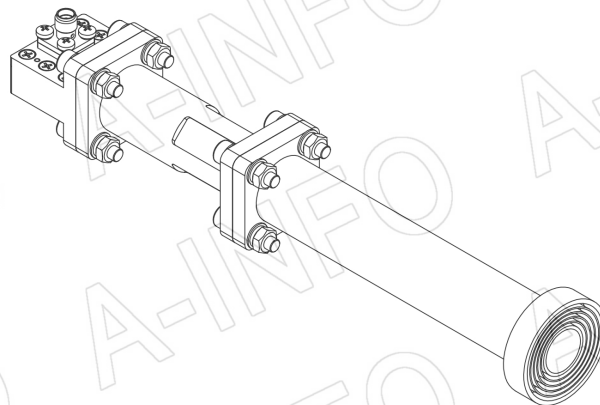


Outline Drawing (Size: mm)

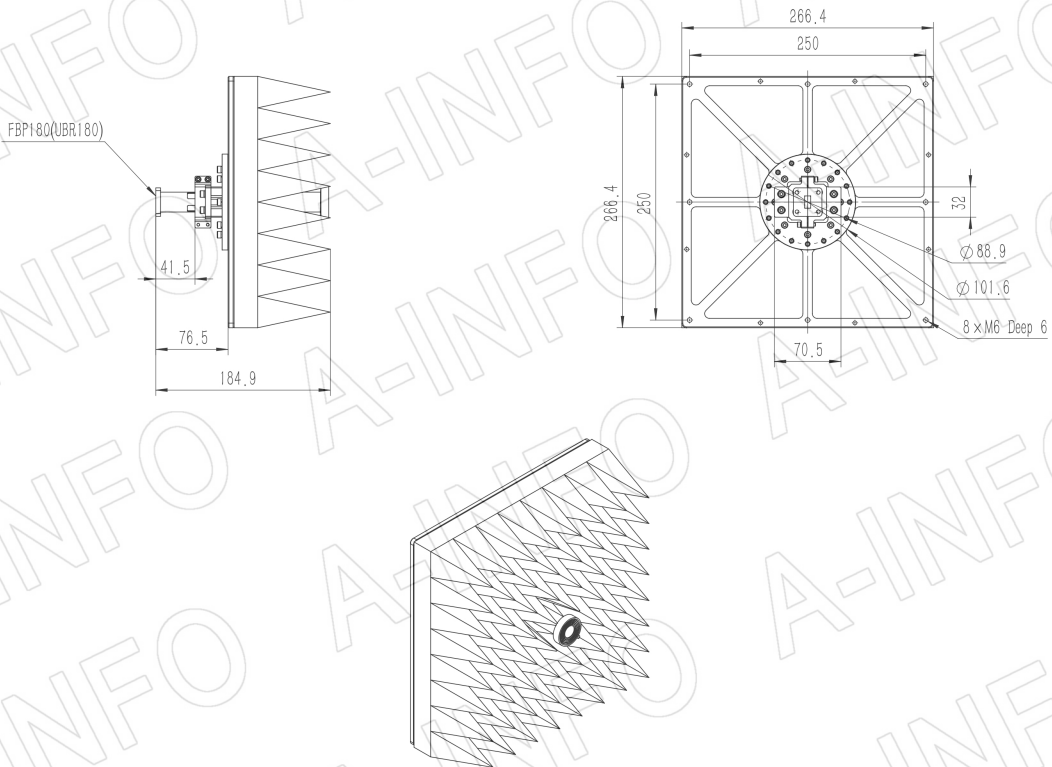
FBP180 Output (P/N: LB-ACH-51-10-A)



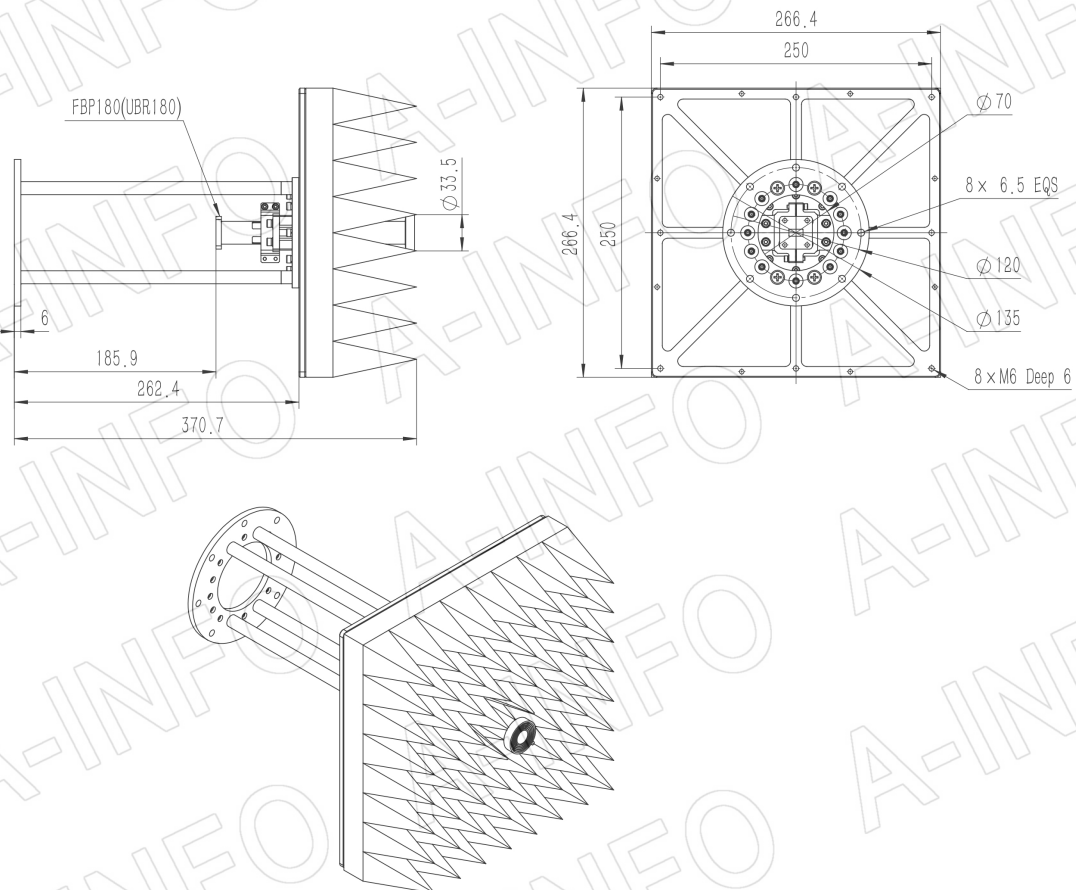
SMA-Female Output (P/N: LB-ACH-51-10-C-SF)



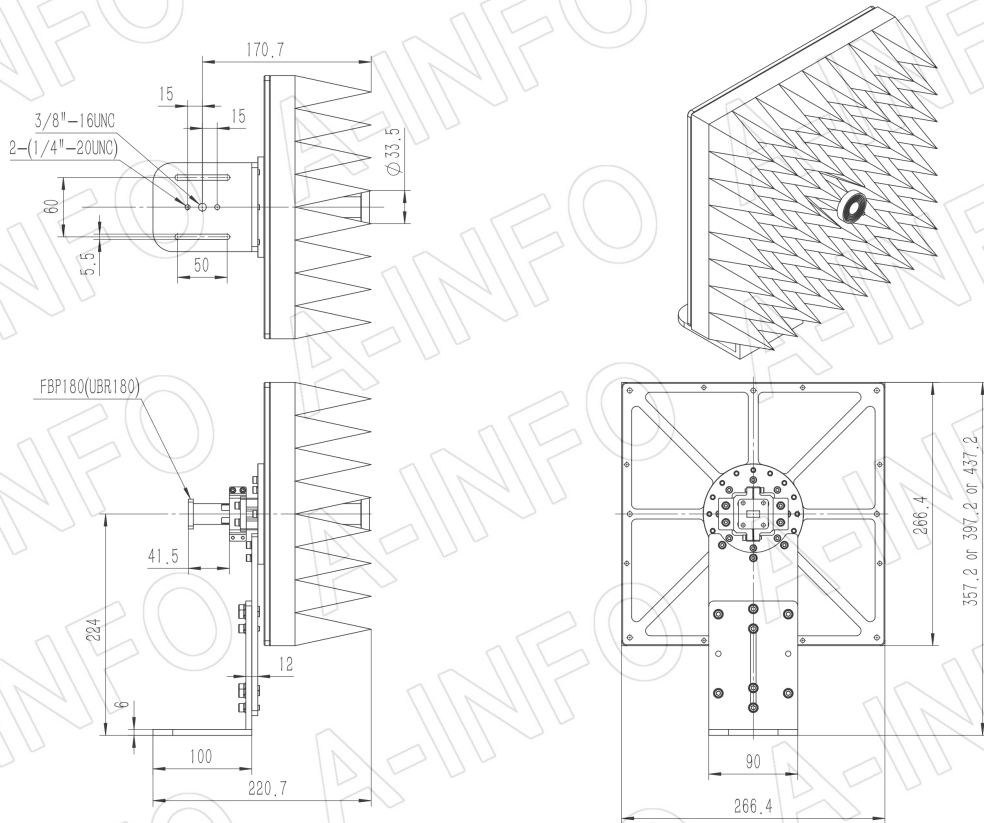
FBP180 Output, Equipped with Absorber (Option, P/N: LB-ACH-51-10-A-A1)



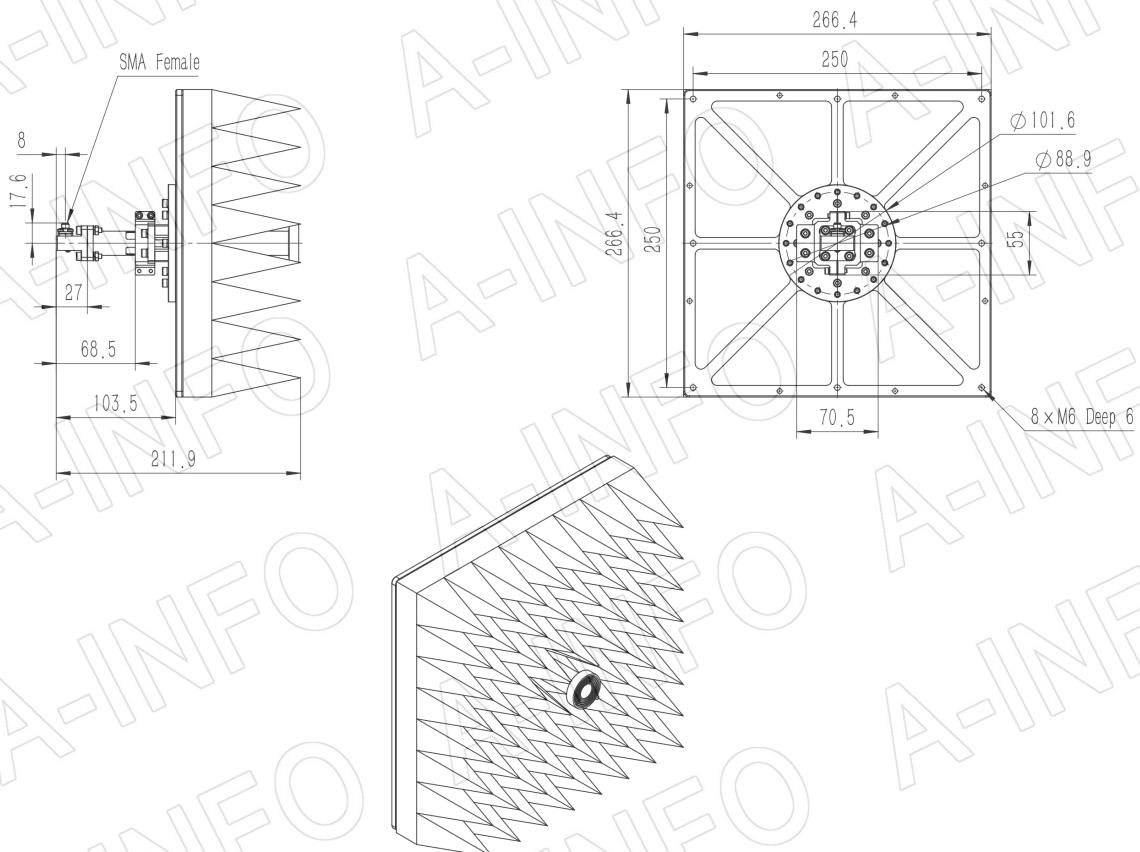
FBP180 Output with Round Mounting Bracket & Equipped with Absorber (Option, P/N: EWG-MB40 & LB-ACH-51-10-A-A1)



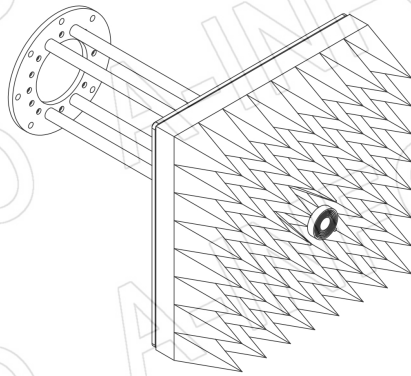
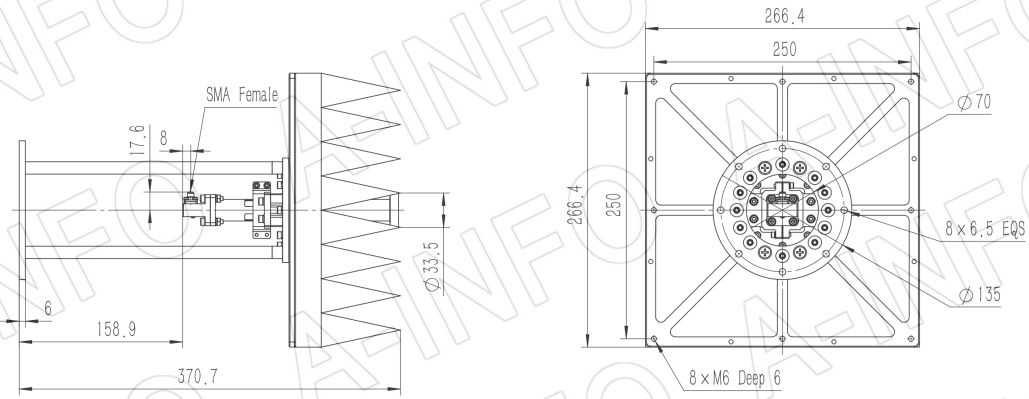
FBP180 Output with L Type Mounting Bracket & Equipped with Absorber (Option, P/N: EWG-L40 & LB-ACH-51-10-A1)



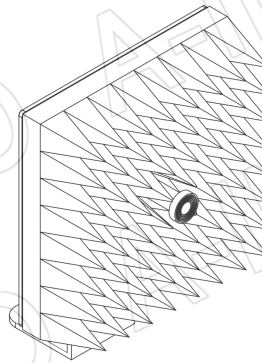
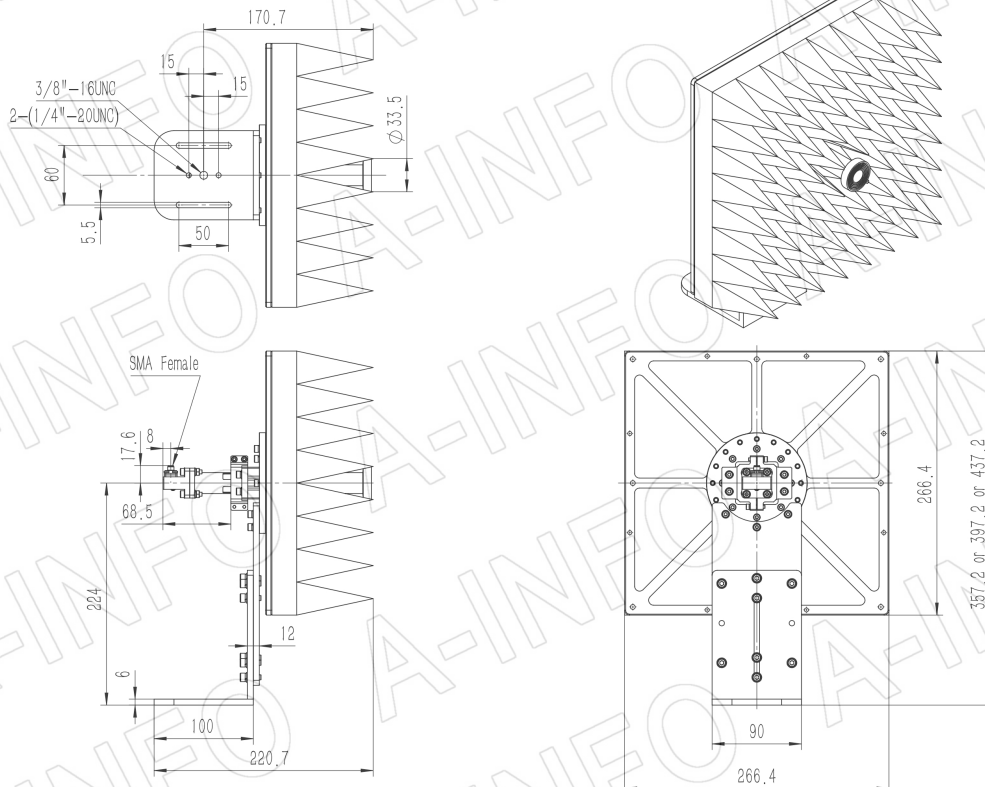
SMA-Female Output, Equipped with Absorber (Option, P/N: LB-ACH-51-10-C-SF-A1)



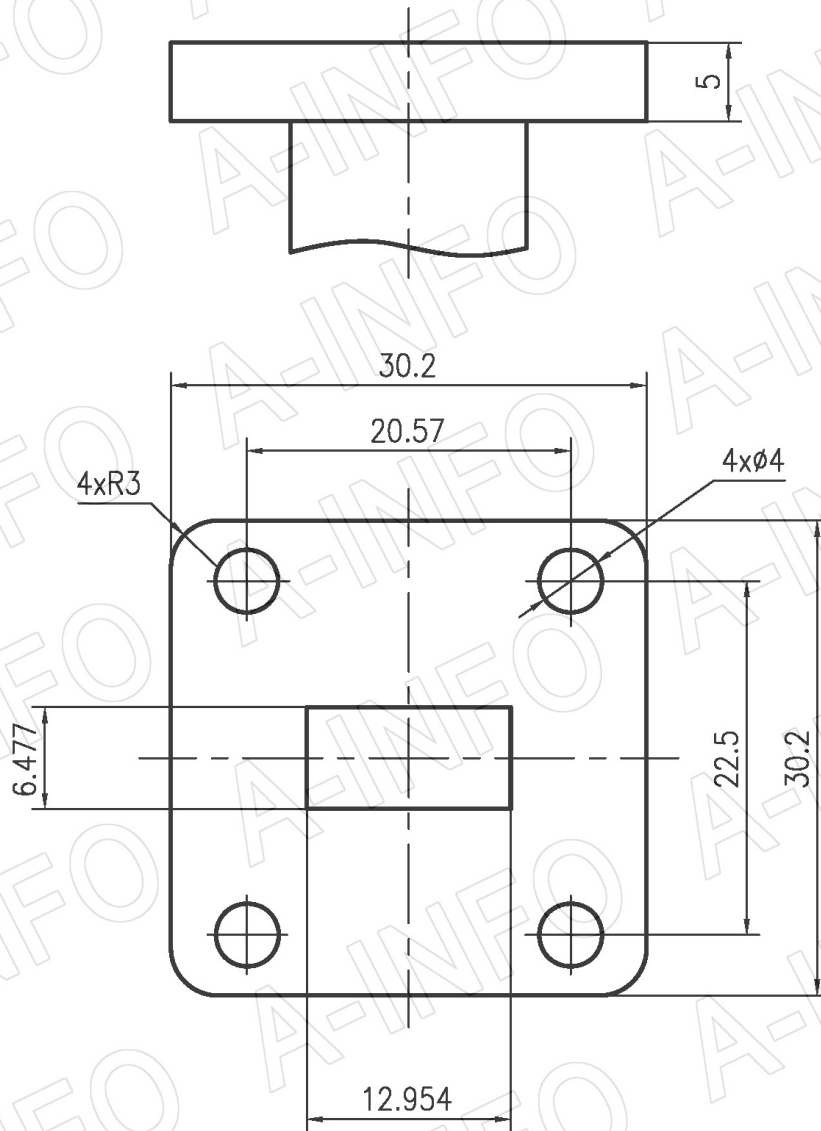
SMA-Female Output with Round Mounting Bracket & Equipped with Absorber (Option, P/N: EWG-MB40 & LB-ACH-51-10-C-SF-A1)



SMA-Female Output with L Type Mounting Bracket & Equipped with Absorber (Option, P/N: EWG-L40 & LB-ACH-51-10-C-SF-A1)



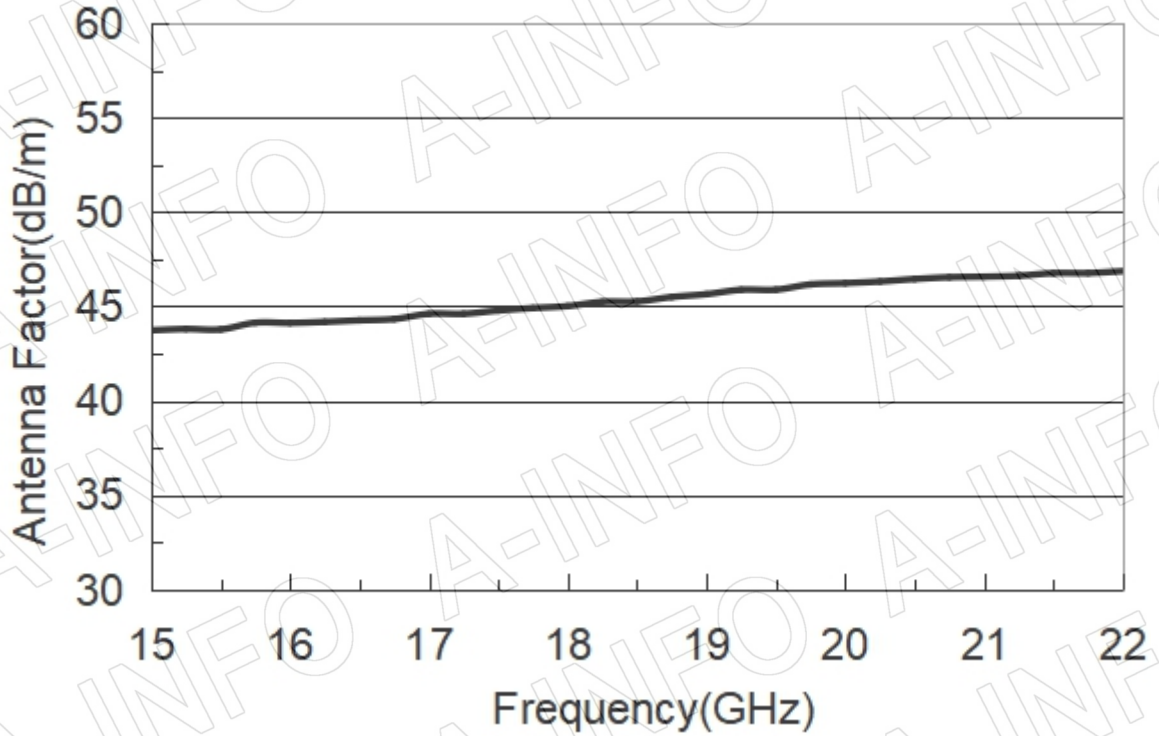
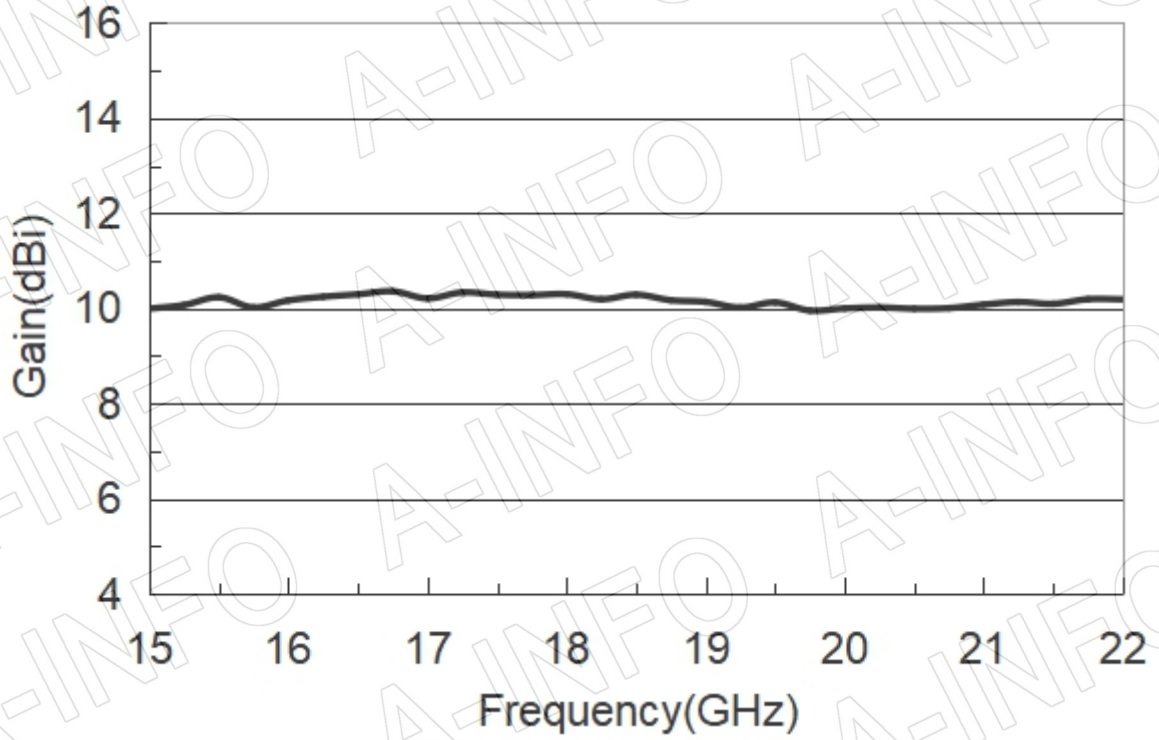
Flange Drawing (Size: mm)



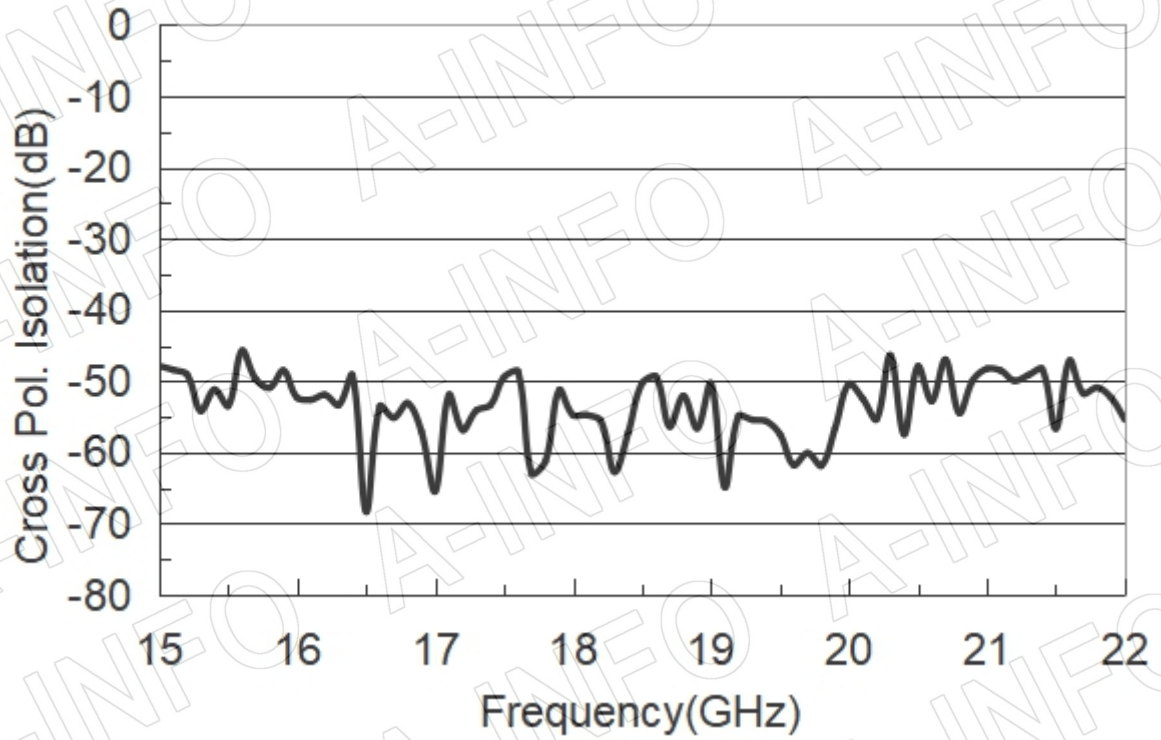
FBP180

Test Results

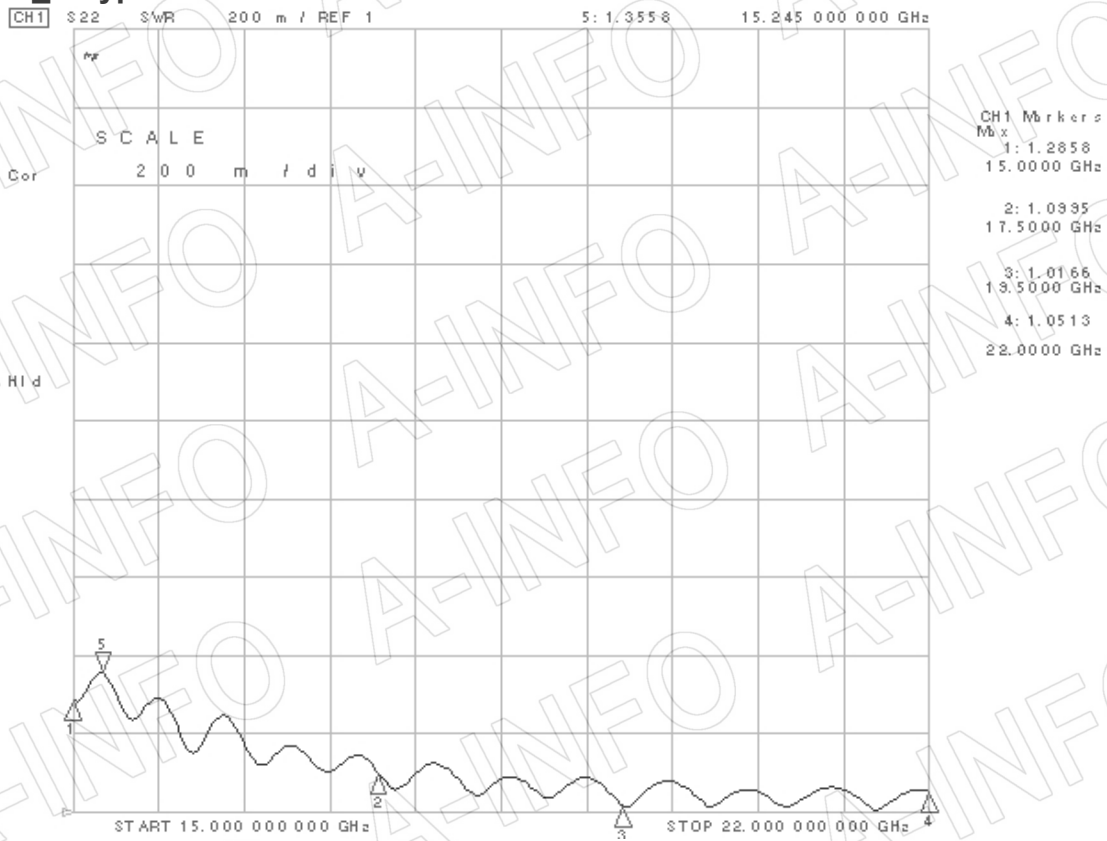
1. Gain & Antenna Factor



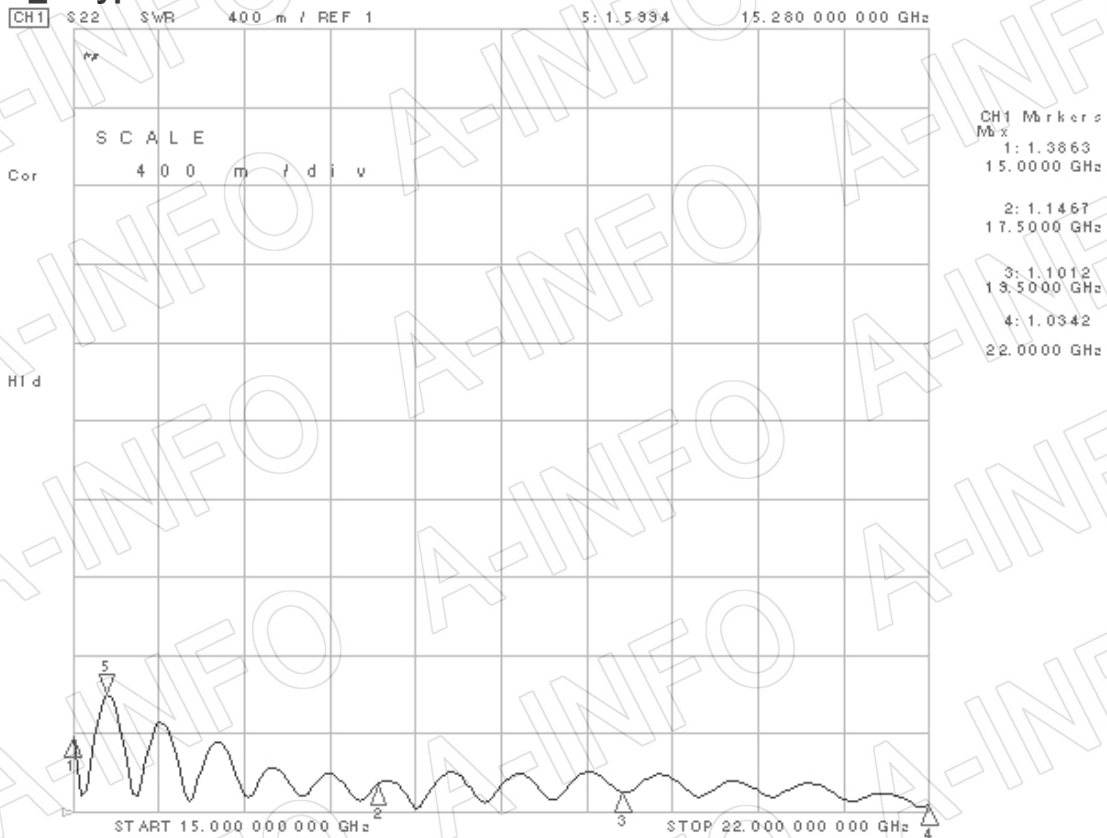
2. Cross Polarization Isolation



3. VSWR_A Type



VSWR_C Type



4. Pattern

